

NEW PLYMOUTH STEEL SUPPLIES LTD

Masterklamp

PRODUCT CODE CONVERSION TABLE

Description	Masterklamp	Tubeclamp & Interclamp	Keeklamp
Short Tee	1.02	101	10
Long Tee	1.04	104	25
Internal Swivel Tee 360"	1.05	147	114
Adjustable Tee 30-60"	1.07	129	12
Clamp-on Tee	1.08	135	16
Two Socket Cross	2.01	119	26
3 Way Mid Corner	2.02	116	21
3 Way Top Corner	2.03	128	20
Two Socket Cross 30-45"	2.04	130	30
Side Outlet Cross	2.05	176	35
Four Socket Cross	2.06	158	40
Combi Socket Tee & Cross	2.07	165	46
Crossover 90"	2.08	161	45
Clamp-on Crossover 90"	2.09	160	17
Adjustable Swivel Cross (set)	2.10	148	19
Elbow 90"	3.01	125	15
Variable Elbow 30-60"	3.03	124	N/A
Base Flange	4.01	131	60
Railing Base Flange	4.02	132	62
Horizontal Base Railing Support	4.03	145	65
Vertical Base Railing Support	4.04	144	64
Handrail Support	4.06	143	70
Base Plate	4.10	169	M58
Swivel Plate	4.11	169	C58
Side Palm	4.13	146	68
Ground Socket	4.18	134	66
Single Sided Collar Plate	4.20	199	P50
Double Sided Collar Plate	4.21	198	P51
Male Single Swivel	5.01	173M	M50
Male Double Swivel	5.02	167M	M51
Male Corner Swivel	5.03	168M	M52
Female Single Swivel	5.09	173F	V50
Single Swivel Combination	5.11	173	C50
Double Swivel Combination	5.12	167	C51
Corner Swivel Combination	5.13	168	C52
Straight Coupling	6.01	149	14
Internal Coupling	6.03	150	18
Collar	6.06	179	75
Female Gate Hinge	6.08	138	78
Male Gate Hinge	6.09	140	83
Single Sided Panel Clip	6.14	170	81
Double Sided Panel Clip	6.15	171	82
Set Screw	6.11	300	97
Allen Key	6.21	301	99

Masterklamp - ISO 9002 / ISO 1461

TEES & CROSSES

1.02 Short Tee <table border="1"> <tr><td>21.3</td><td>26.9</td><td>33.7</td><td>42.4</td><td>48.3</td><td>60.3</td></tr> <tr><td>42.4/48.3</td><td></td><td>48.3/33.7</td><td></td><td>60.3/48.3</td><td></td></tr> </table>	21.3	26.9	33.7	42.4	48.3	60.3	42.4/48.3		48.3/33.7		60.3/48.3		1.02 Short Tee - Capped <table border="1"> <tr><td></td><td></td><td></td><td></td><td>48.3/42.4C</td><td></td></tr> </table>					48.3/42.4C		1.03 Short Tee 0-11° <table border="1"> <tr><td></td><td></td><td>33.7</td><td>42.4</td><td>48.3</td><td></td></tr> </table>			33.7	42.4	48.3		1.04 Long Tee <table border="1"> <tr><td></td><td>26.9</td><td>33.7</td><td>42.4</td><td>48.3</td><td>60.3</td></tr> <tr><td></td><td></td><td>42.4/48.3</td><td></td><td></td><td></td></tr> </table>		26.9	33.7	42.4	48.3	60.3			42.4/48.3									
21.3	26.9	33.7	42.4	48.3	60.3																																								
42.4/48.3		48.3/33.7		60.3/48.3																																									
				48.3/42.4C																																									
		33.7	42.4	48.3																																									
	26.9	33.7	42.4	48.3	60.3																																								
		42.4/48.3																																											
1.05 Internal Swivel Tee 360° <table border="1"> <tr><td></td><td></td><td>33.7</td><td>42.4</td><td>48.3</td><td></td></tr> </table>			33.7	42.4	48.3		1.06 Long Tee 0-11° <table border="1"> <tr><td></td><td></td><td>33.7</td><td>42.4</td><td>48.3</td><td></td></tr> </table>			33.7	42.4	48.3		1.07 Adjustable Tee 30-60° <table border="1"> <tr><td></td><td></td><td>33.7</td><td>42.4</td><td>48.3</td><td></td></tr> </table>			33.7	42.4	48.3		1.08 Clamp-On Tee <table border="1"> <tr><td></td><td>26.9</td><td>33.7</td><td>42.4</td><td>48.3</td><td></td></tr> </table>		26.9	33.7	42.4	48.3																			
		33.7	42.4	48.3																																									
		33.7	42.4	48.3																																									
		33.7	42.4	48.3																																									
	26.9	33.7	42.4	48.3																																									
2.01 Two Socket Cross <table border="1"> <tr><td>21.3</td><td>26.9</td><td>33.7</td><td>42.4</td><td>48.3</td><td>60.3</td></tr> <tr><td></td><td></td><td></td><td>48.3/33.7</td><td></td><td></td></tr> </table>	21.3	26.9	33.7	42.4	48.3	60.3				48.3/33.7			2.02 Three Way Mid Corner <table border="1"> <tr><td>21.3</td><td>26.9</td><td>33.7</td><td>42.4</td><td>48.3</td><td>60.3</td></tr> <tr><td></td><td></td><td></td><td>48.3/33.7</td><td></td><td></td></tr> </table>	21.3	26.9	33.7	42.4	48.3	60.3				48.3/33.7			2.03 Three Way Top Corner <table border="1"> <tr><td>21.3</td><td>26.9</td><td>33.7</td><td>42.4</td><td>48.3</td><td>60.3</td></tr> <tr><td></td><td></td><td></td><td>48.3/42.4</td><td></td><td></td></tr> </table>	21.3	26.9	33.7	42.4	48.3	60.3				48.3/42.4			2.04 Two Socket Cross 30-45° <table border="1"> <tr><td></td><td></td><td>33.7</td><td>42.4</td><td>48.3</td><td></td></tr> </table>			33.7	42.4	48.3	
21.3	26.9	33.7	42.4	48.3	60.3																																								
			48.3/33.7																																										
21.3	26.9	33.7	42.4	48.3	60.3																																								
			48.3/33.7																																										
21.3	26.9	33.7	42.4	48.3	60.3																																								
			48.3/42.4																																										
		33.7	42.4	48.3																																									
2.05 Side Outlet Cross <table border="1"> <tr><td>21.3</td><td>26.9</td><td>33.7</td><td>42.4</td><td>48.3</td><td>60.3</td></tr> </table>	21.3	26.9	33.7	42.4	48.3	60.3	2.06 Four Socket Cross <table border="1"> <tr><td>21.3</td><td>26.9</td><td>33.7</td><td>42.4</td><td>48.3</td><td></td></tr> </table>	21.3	26.9	33.7	42.4	48.3		2.07 Combi Skt Tee & Cross <table border="1"> <tr><td></td><td>26.9</td><td>33.7</td><td>42.4</td><td>48.3</td><td></td></tr> </table>		26.9	33.7	42.4	48.3		2.08 Crossover 90° <table border="1"> <tr><td></td><td></td><td>26.9</td><td>33.7</td><td>42.4</td><td>48.3</td><td>60.3</td></tr> <tr><td></td><td></td><td>48.3/33.7</td><td>48.3/42.4</td><td></td><td>60.3/48.3</td><td></td></tr> </table>			26.9	33.7	42.4	48.3	60.3			48.3/33.7	48.3/42.4		60.3/48.3											
21.3	26.9	33.7	42.4	48.3	60.3																																								
21.3	26.9	33.7	42.4	48.3																																									
	26.9	33.7	42.4	48.3																																									
		26.9	33.7	42.4	48.3	60.3																																							
		48.3/33.7	48.3/42.4		60.3/48.3																																								
2.09 Clamp-On Crossover 90° <table border="1"> <tr><td></td><td>26.9</td><td>33.7</td><td>42.4</td><td>48.3</td><td></td></tr> </table>		26.9	33.7	42.4	48.3		2.10 Adj Swivel Cross Set <table border="1"> <tr><td></td><td>26.9</td><td>33.7</td><td>42.4</td><td>48.3</td><td>60.3</td></tr> </table>		26.9	33.7	42.4	48.3	60.3	KEY <table border="1"> <tr><td>26.9</td><td>Available in NON-REDUCING pipe sizes</td></tr> <tr><td>42.4/48.3</td><td>Available in REDUCING pipe sizes: For reducing clamps Thru, then Butt e.g. 42.4/48.3 (42.4 = Thru, 48.3 = Butt)</td></tr> </table> <p>All sizes given in (to suit) outside diameter (OD)mm.</p>		26.9	Available in NON-REDUCING pipe sizes	42.4/48.3	Available in REDUCING pipe sizes: For reducing clamps Thru, then Butt e.g. 42.4/48.3 (42.4 = Thru, 48.3 = Butt)																										
	26.9	33.7	42.4	48.3																																									
	26.9	33.7	42.4	48.3	60.3																																								
26.9	Available in NON-REDUCING pipe sizes																																												
42.4/48.3	Available in REDUCING pipe sizes: For reducing clamps Thru, then Butt e.g. 42.4/48.3 (42.4 = Thru, 48.3 = Butt)																																												















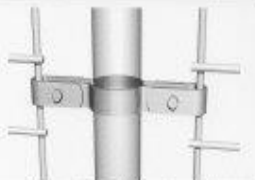


Masterklamp - ISO 9002 / ISO 1461

ELBOWS & FLANGES

3.01 Elbow 90°	3.02 Elbow 79-101°	3.03 Variable Elbow 30-60°	
			
21.3 26.9 33.7 42.4 48.3 60.3	33.7 42.4 48.3	33.7 42.4 48.3	
4.01 Base Flange	4.02 Railing Base Flange	4.03 H Base Railing Support	4.04 V Base Railing Support
			
26.9 33.7 42.4 48.3 60.3	26.9 33.7 42.4 48.3 60.3	33.7 42.4 48.3	33.7 42.4 48.3
4.05 Railing Base flange 0-11°	4.06 Handrail Support	4.08 Rail Base with Toeboard	4.10 Base Plate
			
33.7 42.4 48.3	26.9 33.7 42.4 48.3	42.4 48.3	Universal
4.11 Swivel Base	4.13 Side Palm	4.18 Ground Socket	4.20 Sgl Sided Collar Plate
			
26.9 33.7 42.4 48.3 60.3	33.7 42.4 48.3	33.7 42.4 48.3	33.7 42.4 48.3
4.21 Dbl Sided Collar Plate	<p>KEY</p> <p>26.9 Available in NON-REDUCING pipe sizes</p> <p>42.4/48.3 Available in REDUCING pipe sizes:</p> <p>For reducing clamps Thru, then Butt e.g. 42.4/48.3 (42.4 = Thru, 48.3 = Butt)</p> <p>All sizes given in (to suit) outside diameter (OD)mm.</p>		
			
42.4 48.3			

Masterklamp - ISO 9002 / ISO 1461

SWIVELS & VARIOUS

5.01 Male Single Swivel	5.02 Male Double Swivel	5.03 Male Corner Swivel	5.09 Female Sgl Swivel
			
26.9 33.7 42.4 48.3 60.3	26.9 33.7 42.4 48.3	26.9 33.7 42.4 48.3	26.9 33.7 42.4 48.3 60.3
5.11 Sgl Swivel Combi	5.12 Dbl Swivel Combi	5.13 Cnr Swivel Combi	
			
26.9 33.7 42.4 48.3 60.3	26.9 33.7 42.4 48.3	26.9 33.7 42.4 48.3	
6.01 Straight Coupling	6.03 Internal Coupling	6.04 Hook	6.06 Collar
			
26.9 33.7 42.4 48.3 60.3	33.7 42.4 48.3	33.7 42.4 48.3	26.9 33.7 42.4 48.3
6.08 Female Gate Hinge	6.09 Male Gate Hinge	6.14 Sgl Sided Panel Clip	6.15 Dbl Sided Panel Clip
			
26.9 33.7 42.4 48.3	26.9 33.7 42.4 48.3	42.4 48.3 60.3	42.4 48.3 60.3
6.11 Set Screw	6.21 Allen Key		
			
3/8 BSP 1/4 BSP 1/4 BSP 3/8 BSP 3/8 BSP 3/8 BSP	3/16 1/4 1/4 5/16 5/16 5/16		

KEY

26.9 Available in NON-REDUCING pipe sizes

42.4/48.3 Available in REDUCING pipe sizes:

For reducing clamps Thru, then Butt
e.g. 42.4/48.3 (42.4 = Thru, 48.3 = Butt)

All sizes given in (to suit) outside diameter (OD)mm.